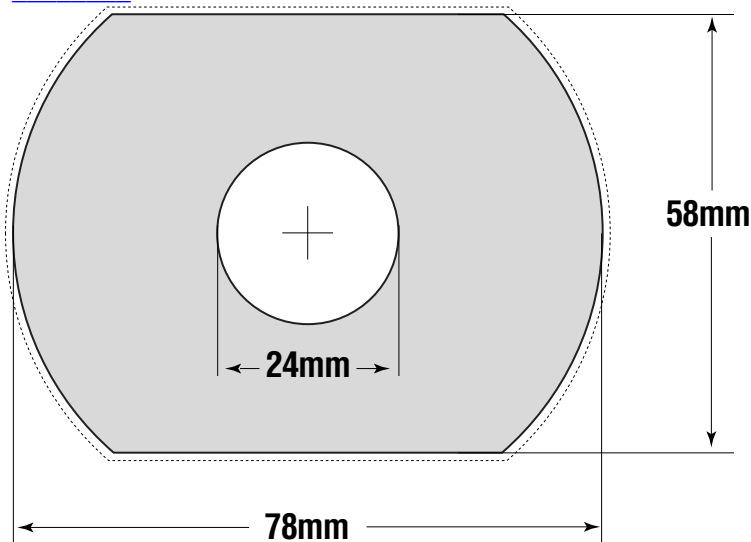
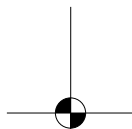


PMS Color #1 _____
PMS Color #2 _____
PMS Color #3 _____

PMS Color #4 _____
PMS Color #5 _____
PMS Color #6 _____



RINK CARD TEMPLATE 80 mm x 60 mm
(Printable Area: 78mm x 58mm)



 **PRINTABLE
AREA**